



• ED1238 Series.

DC Brushless fan.

Size: 120 x 120 x 38 mm

4.7 x 1.5 Inches.

Airflow: Max.180CFM /5.1m3/min

Plastic Impeller / Plastic Frame.

Model No.	Rated Voltage	Voltage Range	Input Power	Rated Current	Ref Speed	Max. Airflow		Max. Static Pressure		Noise Level	PQ Curves
	VDC	VDC	Watt	Amp	RPM	CFM	m3/min	Inch/H2O	mm/H2O	dB (A)	
ED1238-12SH**	12	8~13.8	10.6(~17)	0.88(~1.43)	4200	180	5.1	0.98	24.89	54	SH
ED1238-12HH**	12	8~13.8	8.4(~10)	0.7(~0.9)	3200	136	3.9	0.56	14.22	48	HH
ED1238-12H**	12	8~13.8	6	0.50	2900	124	3.5	0.47	11.94	44	H
ED1238-12M**	12	8~13.8	4.8	0.40	2600	115	3.3	0.43	10.92	41	M
ED1238-12L**	12	8~13.8	2.4	0.20	2000	90	2.5	0.32	8.13	35	L
ED1238-24SH**	24	15~26	10.3(~22)	0.43(~0.9)	4200	180	5.1	0.98	24.89	54	SH
ED1238-24HH**	24	15~26	8.4(~14.8)	0.35(~0.62)	3200	136	3.9	0.56	14.22	48	HH
ED1238-24H**	24	15~26	5.5(~12)	0.23(~0.5)	2900	124	3.5	0.47	11.94	44	H
ED1238-24M**	24	15~26	4.5(~8)	0.19(~0.34)	2600	115	3.3	0.43	10.92	41	M
ED1238-24L**	24	15~26	3.6	0.15	2000	90	2.5	0.32	8.13	35	L
ED1238-48SH**	48	28~55	10.6(~20)	0.22(~0.41)	4200	180	5.1	0.98	24.89	54	SH
ED1238-48HH**	48	28~55	7.7(~15)	0.16(~0.3)	3200	136	3.9	0.56	14.22	48	HH
ED1238-48H**	48	28~55	5.0(~14)	0.10(~0.29)	2900	124	3.5	0.47	11.94	44	H
ED1238-48M**	48	28~55	3.8(~7)	0.08(~0.14)	2600	115	3.3	0.43	10.92	41	M
ED1238-48L**	48	28~55	3.4	0.07	2000	90	2.5	0.32	8.13	35	L

** = "BL" for wire lead type Ball bearing Type.

•We reserve the right to change data and improve electrical & mechanical design without notice. data tolerance +10%

Motor

Motor Type: Brushless DC Motor, auto cutoff, auto restart
 Burnout Protection: Electronically protected, polarity protected
 IP Protection: Ratings on request

Mechanical

Frame: Glass fiber reinforced thermoplastic, rated UL94V-0
 Impeller: 7 blades, glass fiber reinforced plastic, rated UL94V-0
 Bearing: Two ball bearings
 Rotation: CCW seen on rotor
 Connection: Wire lead
 Weight: 200 g (0.44 Lbs)

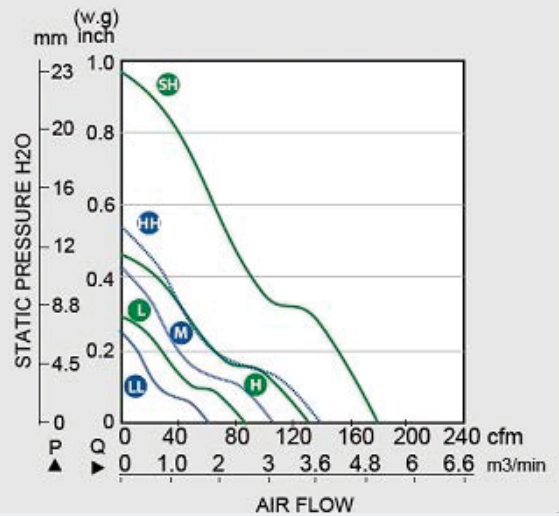
Electrical

Dielectric Strength: 500 VAC/min. Max leakage 500mA
 Speed Control: Optional:PWM, S/C NTC thermister on request
 Signal Output: Optional:R/D alarm output, tachometer output F/G

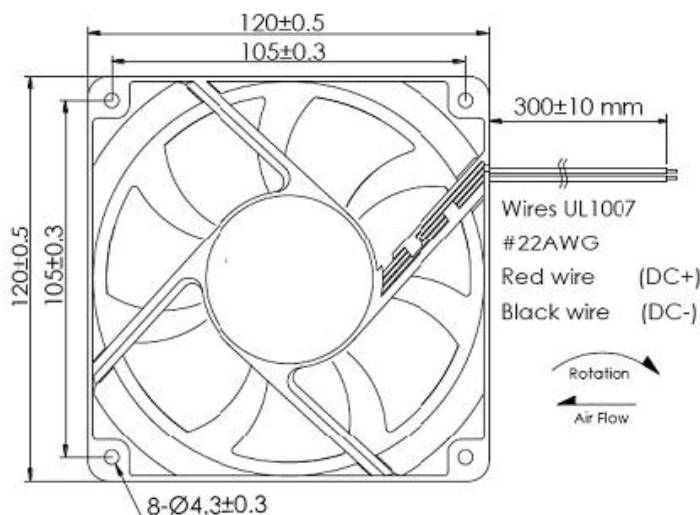
Environment

Operating Temp: Ambient non-condensing -15°C~+65°C
 Storage Temp: -25°C~+80°C (at 65%RH)
 Life Expectancy: L10 70K hours at 40°C, 60K hours at 65°C

► Performance P-Q Curves.



► Outline Dimensions.



Fan Accessories

